



project name	type
catalog number	voltage
approved by	date

AAL2 AREA LIGHT

The EiKO AAL2 LED Area Light sets a new standard for versatility and performance in outdoor lighting. Designed for professionals who demand flexibility on every job, AAL2's PowerSET, ColorSET, and OpticSET technologies let you fine-tune power, color temperature, and light distribution right in the field-no extra SKUs, no delays. Whether lighting parking lots, campuses, or commercial sites, AAL2 gives contractors and distributors a powerful, one-fixture solution that simplifies inventory, lowers total cost, and outperforms expectations-right out of the box.



PS80 - PS150

PS300

PS420



SPECIFICATIONS

INTENDED USE

- One-for-one HID replacement, featuring field-selectable lumen output, color temperature, and optical distributions for exterior lighting installations.

CONSTRUCTION & INSTALLATION

- Rugged die-cast aluminum construction with superior heat dissipation for demanding outdoor environments.
- Available in bronze powder-coated finish and four sizes.
- Multiple mounting options available:
 - Slip fitter, Adjustable slip fitter, Trunnion, Adjustable/fixed direct mount. All mounts ordered separately
- Optional three-piece modular cutoff shields for glare control
- Sensor receptacle with cover to allow easy field installation of sensors (NEMA photocontrols and DC sensor)

ELECTRICAL

- PowerSET: Three-step power settings for field-adjustable light output via dip switch
- Input Voltage: 120-347V; 277-480V; 50/60 Hz
- Dimming: 0-10V
- Power Factor: >0.9, THD: <20%
- Surge Protection: 10kV in-built, or factory-installed options 20kV
- Cord: 3.3ft power cord

OPTICAL

- ColorSET: Field-adjustable color temperature via dip switch (3000K/4000K/5000K)
- OpticSET: Field-adjustable light distribution via dip switch (T3, T4, T5)
- Lumen output: Up to 61,000 lm
- CRI: 80+
- L70 Rated Life: up to L70/100,000 hours at 25°C

ENVIRONMENTAL

- Operating Temperature: -40°F to 122°F (-40°C to 50°C)
- Suitable for dry, damp, and wet environments

OTHER

- UL certified for both US and Canada
- Factory-installed options:
 - 20kV surge protection, NEMA twistlock receptacle, and dimming wire

WARRANTY

- 5 Year limited warranty available [online](#). Contact your EiKO sales rep for additional details.

FEATURES

- Field-adjustable PowerSET, ColorSET and OpticSET switches adapt on site and reduce application guesswork
- Lightweight, slim contractor-focused profile enables quicker handling, less installation fatigue and cleaner aesthetics.
- Multiple mounting configurations across the range maintain design consistency at entire site.
- Durable solution with Integrated surge protection for long-term reliability.
- Controls ready design supports standalone and networked lighting controls to address energy saving needs.



APPLICATIONS

- Parking Areas
- Automotive Dealerships
- Roadways
- Area security lighting
- Entrways
- Campuses
- Streetscapes
- Airports
- Building facades
- Retail Plazas

AVAILABLE MODELS

ORDER CODE	MODEL #	WATTS (W)	LUMENS (LM)	LIGHT DISTRIBUTION	CCT (K)
120-347V					
15660	AAL2-PS80-OS-8FCCT-HDIM	80/60/40	11,600/8,900/6,100	T3/T4/T5	3000/4000/5000
15662	AAL2-PS150-OS-8FCCT-HDIM	150/120/90	21,800/17,800/13,600	T3/T4/T5	3000/4000/5000
15664	AAL2-PS300-OS-8FCCT-HDIM	300/240/180	43,500/35,600/30,200	T3/T4/T5	3000/4000/5000
15666	AAL2-PS420-OS-8FCCT-HDIM	420/360/300	61,000/53,300/45,300	T3/T4/T5	3000/4000/5000
277-480V					
15663	AAL2-PS150-OS-8FCCT-VDIM	150/120/90	21,800/17,800/13,600	T3/T4/T5	3000/4000/5000
15665	AAL2-PS300-OS-8FCCT-VDIM	300/240/180	43,500/35,600/30,200	T3/T4/T5	3000/4000/5000
15667	AAL2-PS420-OS-8FCCT-VDIM	420/360/300	61,000/53,300/45,300	T3/T4/T5	3000/4000/5000

Default Settings: Max power, T3 light distribution, 5000K CCT

ORDERING GUIDE

MODEL CONFIGURATOR						FACTORY INSTALLED OPTIONS	
MODEL	WATTS (W)	LIGHT DISTRIBUTION	COLOR TEMPERATURE (K)	INPUT VOLTAGE (VAC)	DIM	SURGE PROTECTION	OTHER CONFIGURATIONS
AAL2		OS	8FCCT		DIM		
AAL2 - Area Light	PS - PowerSET PS80 - 80/60/40W PS150 - 150/120/90W PS300 - 300/240/180W PS420 - 420/360/300W	OS - OpticSET (T3/T4/T5)	8 - CRI 80+ FCCT - ColorSET (3000/4000/5000K)	H - 120-347V V - 277-480V	DIM - 0-10V	[Blank] - Default 10kV surge protection SP20H - 20kV surge protection 120-347V SP20V - 20kV surge protection 277-480V	[Blank] - Default, screw-in DC sensor receptacle only, no photocontrol SEN1: Stand-alone DC sensor PIR SEN2: Stand-alone DC sensor microwave SEN3: Stand-alone DC sensor daylight SEN4: Stand-alone DC sensor PIR + daylight SEN-NLC-[name]: Networked Light Control (i.e. SEN-NLC-Silvair) DMG: 0-10V 3.3ft (1m) Dimming cord PC1: NEMA 3-pin Shorting cap with 7-wire twist-lock receptacle. PC3: NEMA 3-pin photocell with 7-wire twist-lock receptacle PC7: NEMA 7-pin photocell with 7-wire twist-lock receptacle

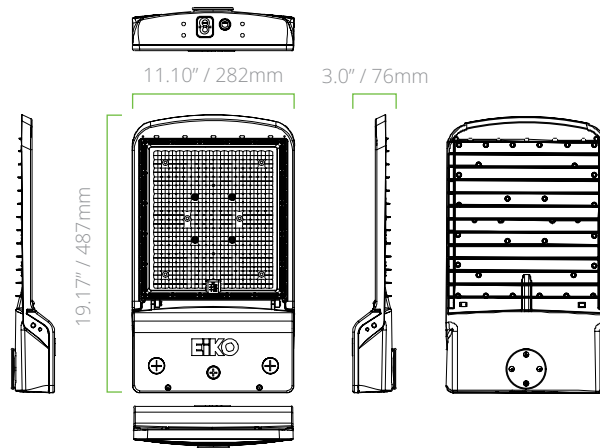
EXAMPLE PART NUMBER: AAL2-PS150-OS-8FCCT-HDIM-SP20H-PC3

DLC LISTING INFORMATION

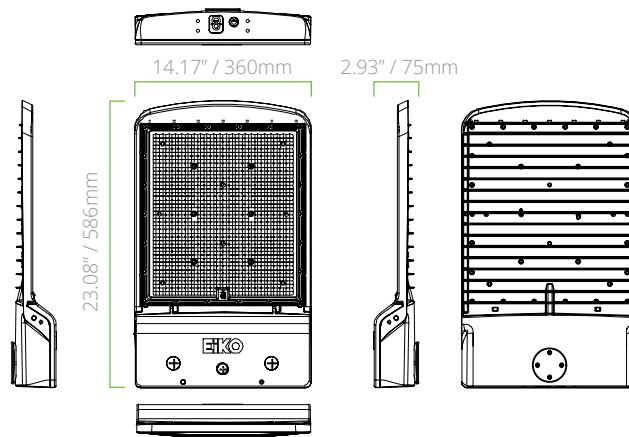
ORDER CODE	MODEL NUMBER	PRODUCT ID	CLASSIFICATION	PRIMARY USE DESIGNATION
120-347V				
15660	AAL2-PS80-OS-8FCCT-HDIM	S-M0YXK4	Premium	Outdoor Pole/Arm-Mounted Area and Roadway Luminaires
		S-W0RFPB	Premium	Architectural Flood and Spot Luminaires
15662	AAL2-PS150-OS-8FCCT-HDIM	S-W3S822	Premium	Outdoor Pole/Arm-Mounted Area and Roadway Luminaires
		S-864D4F	Premium	Architectural Flood and Spot Luminaires
15664	AAL2-PS300-OS-8FCCT-HDIM	S-R06CHX	Premium	Outdoor Pole/Arm-Mounted Area and Roadway Luminaires
		S-JC6P4S	Premium	Architectural Flood and Spot Luminaires
15666	AAL2-PS420-OS-8FCCT-HDIM	S-3HC4RJ	Premium	Outdoor Pole/Arm-Mounted Area and Roadway Luminaires
		S-548TMT	Premium	Architectural Flood and Spot Luminaires
277-480V				
15660	AAL2-PS80-OS-8FCCT-HDIM	S-BL7JDK	Premium	Outdoor Pole/Arm-Mounted Area and Roadway Luminaires
		S-3K5Y7M	Premium	Architectural Flood and Spot Luminaires
15662	AAL2-PS150-OS-8FCCT-HDIM	S-TMHPTK	Premium	Outdoor Pole/Arm-Mounted Area and Roadway Luminaires
		S-J7JHN7	Premium	Architectural Flood and Spot Luminaires
15664	AAL2-PS300-OS-8FCCT-HDIM	S-HYKGZ7	Premium	Outdoor Pole/Arm-Mounted Area and Roadway Luminaires
		S-D448K1	Premium	Architectural Flood and Spot Luminaires

PRODUCT DIMENSIONS

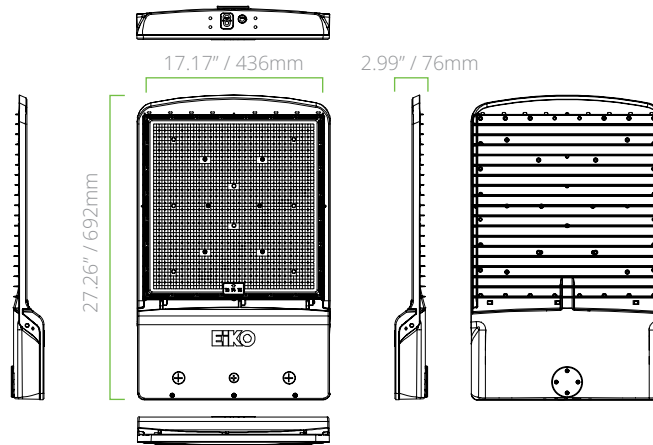
80W/150W



300W



420W



SHIELDS

ORDER	ORDER CODE	ITEM #	DESCRIPTION	IMAGES
	16430	AAL2-3SHIELD-L	AAL2 420W 3pcs Shield Kit	
	16429	AAL2-3SHIELD-M	AAL2 300W 3pcs Shield Kit	
	16428	AAL2-3SHIELD-S	AAL2 80W & 150W 3pcs Shield Kit	

Note: Shield is reversible and can be configured for either forward or rear-facing applications. A single back panel functions as the House Side Shield when installed.



3pcs Shield Kit



Two Panel






Single Panel

MOUNTS AND ACCESSORIES





ORDER	ORDER CODE	ITEM #	DESCRIPTION	IMAGES
	13807	AAL1-FM	AAL Fixed direct mounting arm, bronze	
	13805	AAL1-MA	AAL Adjustable direct Mounting arm, bronze (all models except AAL2-PS420W)	
	16431	AAL2-MA-L	AAL Adjustable direct Mounting arm, bronze (AAL2-PS420W models only)	
	15684	AAL2-MASF	AAL Adjustable direct mounting arm and slip fitter mount, bronze (all models except AAL2-PS420W)	
	16432	AAL2-MASF-L	AAL Adjustable direct Mounting arm and Slip fitter mount, bronze (AAL2-PS420W models only)	
	13804	AAL1-SF	AAL Slip fitter mount, bronze, up to 2 3/8" tenon top (all models except AAL2-PS420W)	
	15896	AAL2-SF-L	AAL Slip fitter mount, bronze, up to 2 3/8" tenon top (AAL2-PS420W models only)	
	13806	AAL1-TR	AAL Trunnion mount, bronze	

PHOTOCELL (FACTORY INSTALLED)

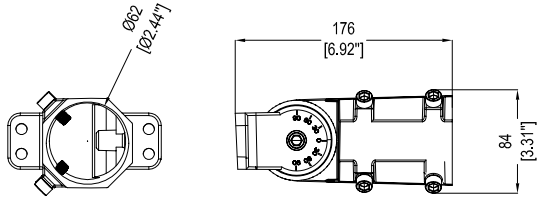
ORDER	ORDER CODE	ITEM #	DESCRIPTION	IMAGES
NEMA PHOTOCELL & PLUG				
	14950	JL-208	3-pin Nema Twist-lock Shorting PC1 Option, 0-480V (use for PC1 Mod Configuration)	
	14949	JL-207F	3-pin Nema Twist-lock PC3 Option, 120-480V (use for PC3 Mod Configuration)	
	16433	JL-241F	7-pin Nema Twist-lock PC7 Option, 120-480V (use for PC7 Mod Configuration)	

Note*: Photocontrol compatibility requires a factory installed receptacle. Order PC1 to install your own photocell in the field, or order PC3 (3-pin) or PC7 (7-pin) to receive a photocell pre-installed at the factory.

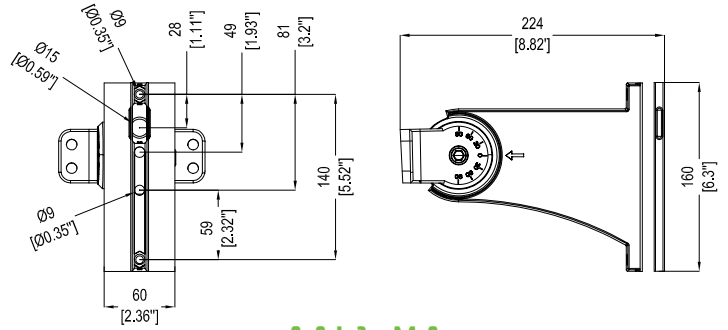
COMPATIBLE SENSORS (FIELD INSTALLED)

ORDER	ORDER CODE	ITEM #	DESCRIPTION	IMAGES
STANDALONE				
	13861	SEN5A-SPPR-WH	Stand-alone PIR Motion Sensor, 12-24V, Screw-in, 0-10V, Daylight Harvesting, 8-40ft, White, IP65, Parameters set by SEN5A-ACT (use for SEN1, SEN3, SEN4 Mod Configurations)	
	13859	SEN5A-SPMR-WH	Stand-alone Microwave Motion Sensor, 12-24V, Screw-in, 0-10V, Daylight Harvesting, 8-40ft, White, IP65, Parameters set by SEN5A-ACT (use for SEN2 Mod Configuration)	
	13344	SEN5A-ACT	Commissioning Tool for SEN5A	
NETWORKED				
	13865	SENA-WPPA-WH	BLE PIR Motion sensor, 12-24V, Screw-in, 0-10V, Daylight Harvesting, 8-40ft, White, IP65, Parameters set by Silvoir App (use for SEN-NLC-SILVAIR Mod Configuration)	

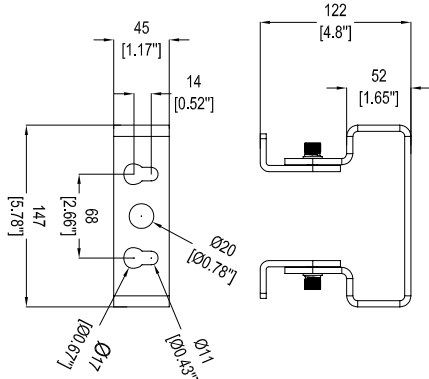
MOUNTING SYSTEM DIMENSIONS



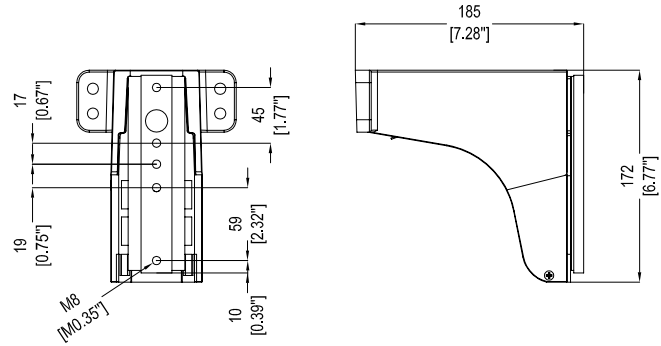
AAL1-SF



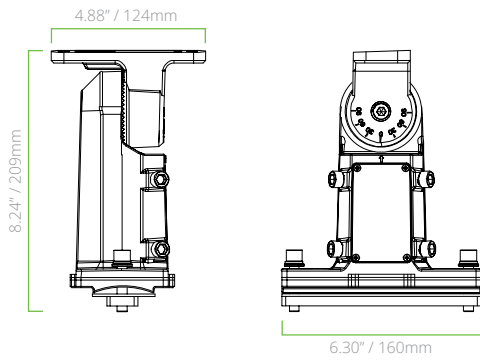
AAL1-MA



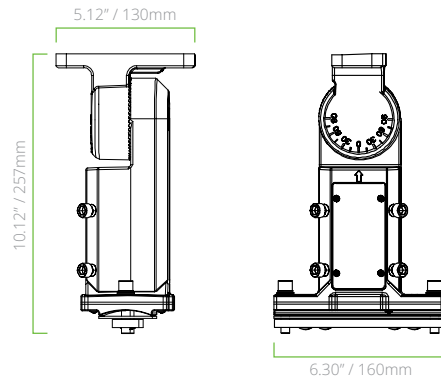
AAL1-TR



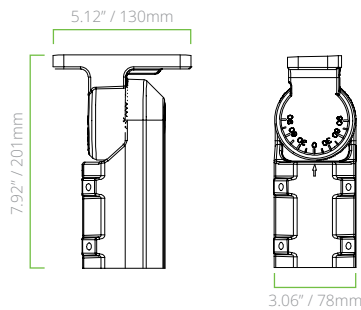
AAL1-FM



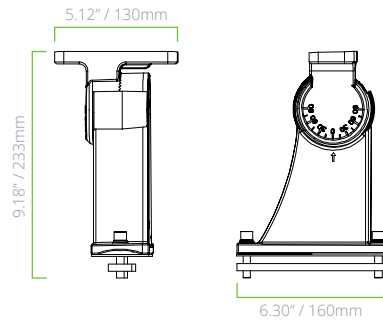
AAL2-MASF



AAL2-MASF-L

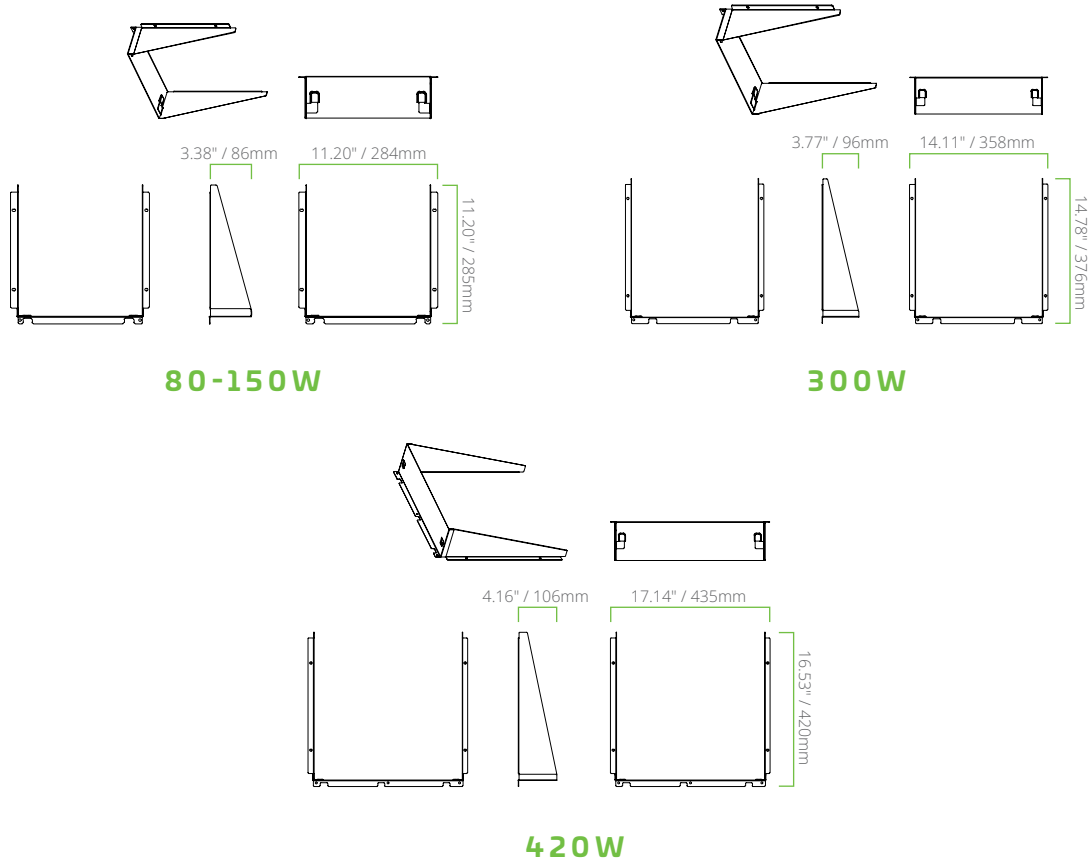


AAL2-SF-L



AAL2-MA-L

SHIELDS DIMENSIONS



MOUNTING CONFIGURATIONS

